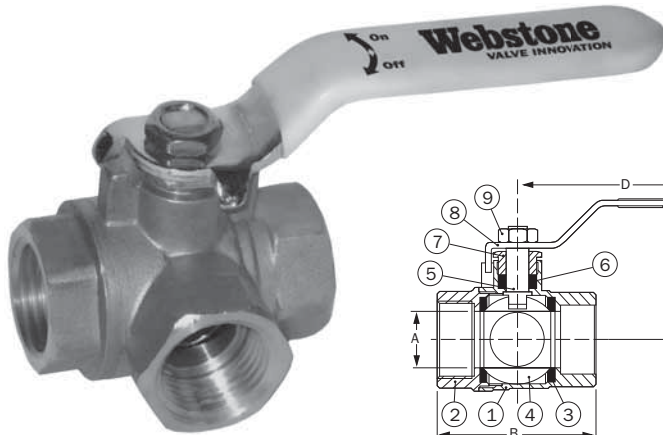


# Full Port Forged 3 Way Brass Ball Valves

3 Way L-Port w/ Reversible Handle

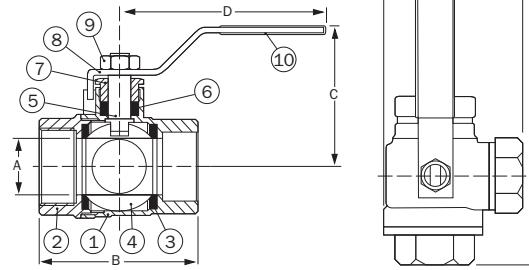
**600 WOG / 150 WSP**  
**ISO 9001**

## 4064 Series - IPS



TEMP °F	PSI
100	600
150	490
200	470
250	439
300	411
350	294
366	N/A

NO.	DESCRIPTION	MATERIAL
1	BODY	BRASS
2	END CAP	BRASS
3	SEAT	PTFE
4	BALL	BRASS HCP
5	STEM	BRASS
6	STEM SEAL	PTFE
7	PACKING GLAND	BRASS
8	HANDLE	STEEL CP
9	HANDLE NUT	STEEL CP
10	HANDLE JACKET	VINYL



Specifications: Designed for residential, commercial or industrial use with water, oil or gas. This approved Webstone valve is actuated by a blowout proof stem and features an adjustable packing gland. Threaded ends comply with ANSI B1.20.1

### 4064 Series - IPS

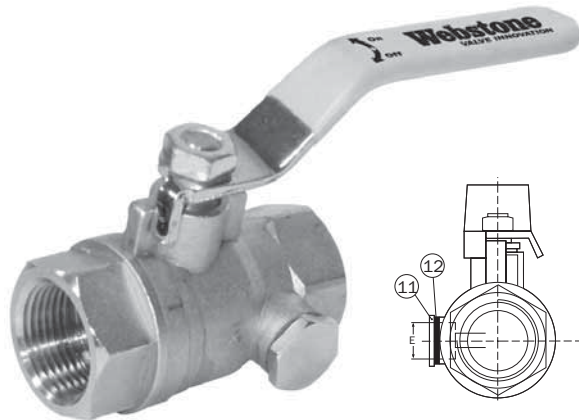
ITEM #	SIZE	CTN/CASE	A	B	C	D	E	F	C <sub>v</sub>
40642	1/2"	15/60	1/2	2 1/8	1 3/4	3 1/4	1	1 11/16	10.8
40643	3/4"	10/40	3/4	2 7/16	2 1/8	4	1 1/4	2	26.8
40644	1"	6/24	1	2 15/16	2 3/8	4 5/8	1 7/16	2 7/16	47.4

# Full Port Forged Brass Ball Valves

w/ 1/4" Threaded Gauge Hole (Plugged) & Reversible Handle

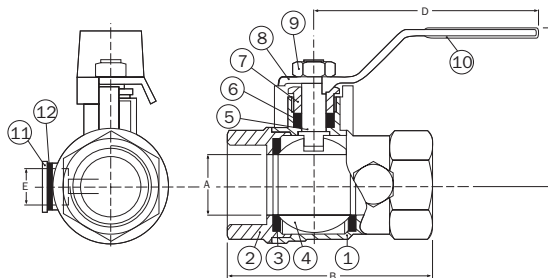
**600 WOG / 150 WSP**  
**ISO 9001**

## 4172 Series - IPS



TEMP °F	PSI
100	600
150	490
200	470
250	439
300	411
350	294
366	N/A

NO.	DESCRIPTION	MATERIAL
1	BODY	BRASS
2	END CAP	BRASS
3	SEAT	PTFE
4	BALL	BRASS HCP
5	STEM	BRASS
6	PACKING GLAND	BRASS
7	STEM SEAL	PTFE
8	HANDLE	STEEL CP
9	HANDLE NUT	STEEL CP
10	HANDLE JACKET	VINYL
11	GAUGE HOLE NUT	BRASS
12	WASHER	FIBER



Specifications: Designed for residential, commercial or industrial use with water, oil or gas. This approved Webstone valve is actuated by a blowout proof stem and features an adjustable packing gland. Threaded ends comply with ANSI B1.20.1

### 4172 Series - IPS

ITEM #	SIZE	CTN/CASE	A	B	C	D	E	C <sub>v</sub>
41722	1/2"	10/80	1/2	2 5/16	2 1/16	3 7/16	1/4	11.5
41723	3/4"	10/60	3/4	2 11/16	2 5/16	3 1/2	1/4	27.1
41724	1"	6/48	1	3	2 1/2	4 5/16	1/4	49.3
41725	1 1/4"	4/32	1 1/4	3 3/4	3 1/8	5 1/8	1/4	114.1
41726	1 1/2"	2/24	1 1/2	4 1/8	3 11/16	5 3/8	1/4	161.3
41727	2"	2/16	2	4 5/8	4 1/8	6 1/2	1/4	248.7

### THIS SPACE FOR DESIGNER / ENGINEER APPROVAL

Job/Customer _____	Date _____	Contractor _____
Model Specified _____	Qty _____	Approved By _____
Designer/Engineer _____	Date _____	Contractor's PO# _____
Submitted by _____	Date _____	Other _____